

FOOT OPERATED VALVE Series DP

Cat No DP - 01 - 03 - B

FOOT OPERATED VALVE - G1/4

Features

- Valve
 - Poppet type
 - High reliability
 - High response
 - Compact size
 - Long life
- Foot pedal
 - Pressure die cast pedal
 - Convenient to operate without physical strain
 - Spring return type
 - Lock provided



Application

These valves are used as directional control valves to operate pneumatic cylinders (single or double acting).

Function

A 5/2 foot operated valve with lock connected to a pneumatic cylinder (double acting type), when pressed once and released, makes the cylinder piston to move in the forward direction and continuously keeps in that direction. When it is again pressed the lock is released and the pedal returns back due to a spring, and thus the cylinder retracts back to its home position.

Similarly a 3/2 foot operated valve with lock, can be used to operate a single acting cylinder.

Technical Specifications

Model	3 / 2	5 / 2
Port size	G1/4	
Medium	Compressed air, filtered (lubricated / non-lubricated)	
Flow @ (1 → 2) (1 → 4)	600 lts / min	550 lts / min
Operating pressure range	0 - 10 bar	
Ambient temperature	-10° to +60° C	
Medium temperature	+5° to +50° C	
Materials of construction	Aluminium, Steel, Brass, Acetal, Nitrile	

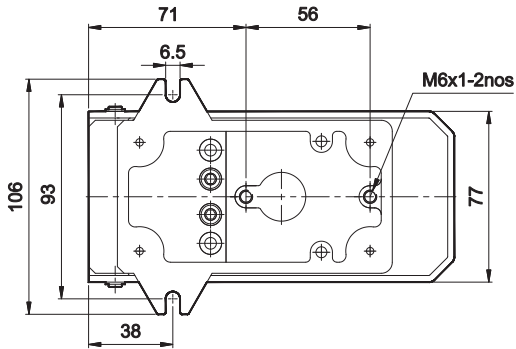
@ Inlet pressure 6 bar, and pressure drop 1 bar

FOOT OPERATED VALVE

Series DP

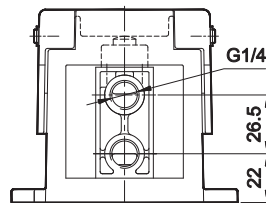
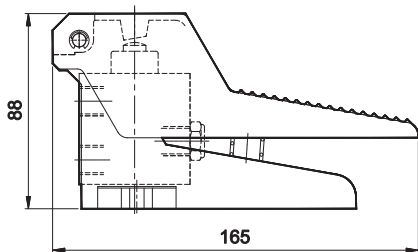
Cat No DP - 01 - 03 - B

3 / 2 Foot operated valve

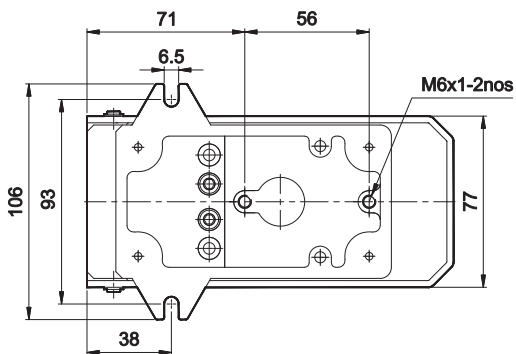


1 - Inlet, 2 - Outlet, 3 - Exhaust

Ordering No	DP035F61	DP045F61
Symbol		

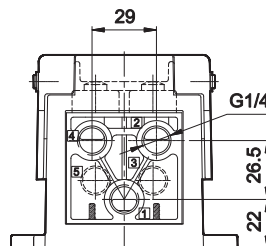
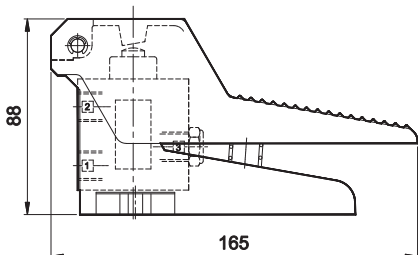


5 / 2 Foot operated valve



1 - Inlet, 2,4 - Outlet, 3,5 - Exhaust

Ordering No	DP055F61
Symbol	

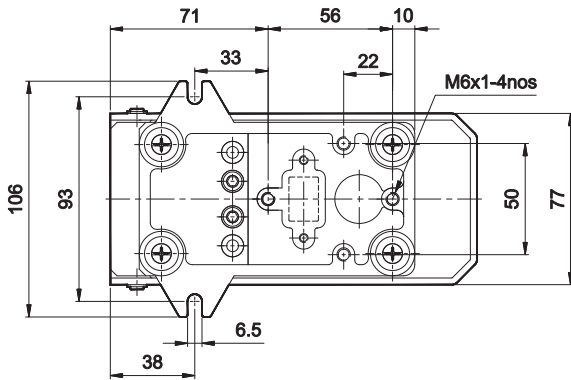


FOOT OPERATED VALVE

Series DP

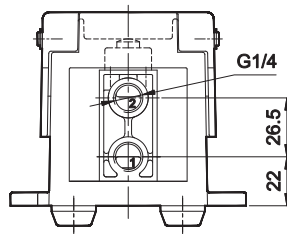
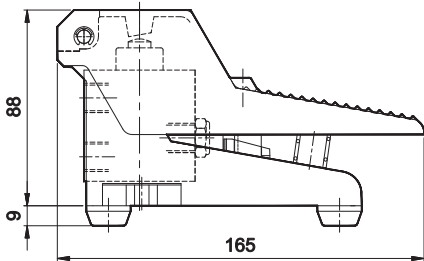
Cat No DP - 01 - 03 - B

3 / 2 Foot operated valve with lock

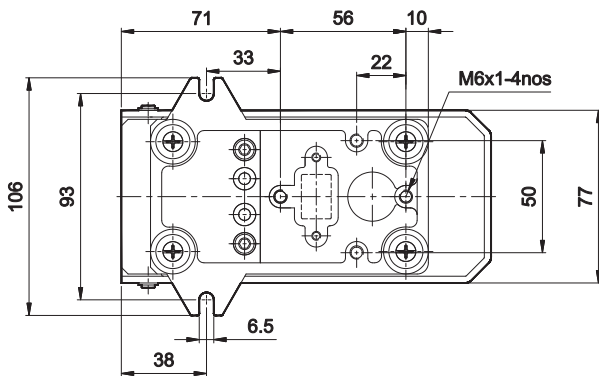


1 - Inlet, 2 - Outlet, 3 - Exhaust

Ordering No	DP035L61	DP045L61
Type	Normally open	Normally closed
Symbol		

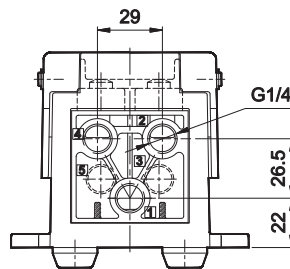
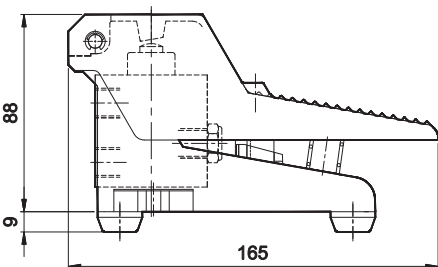


5 / 2 Foot operated valve with lock



1 - Inlet, 2,4 - Outlet, 3,5 - Exhaust

Ordering No	DP055L61
Symbol	



How to order

While ordering Foot operated valve with lock, mention the ordering number given in the corresponding tables.

Subject to change